



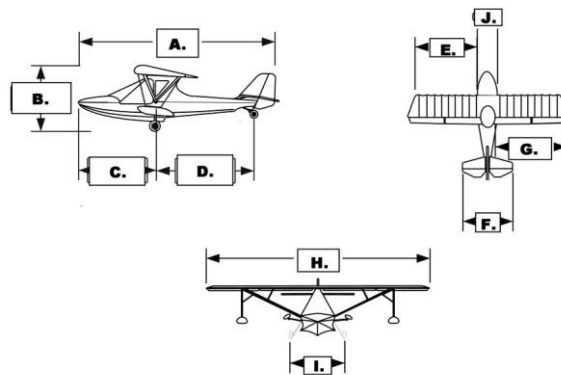
The Aventura UL

These airframe kits are complete. The Builders only need to supply his choice of Instruments, Engine, and Prop.

- Empty Weight : 305lbs
- Useful Load: 345lbs
- Cruise Speed: 55mph
- Never Exceed (VNE) 70mph
- Stall Speed: (VSi) 30mph
- Rate of Climb: 500 ft/min
- Take-off: (Land/Water) 150/200ft
- Endurance: 1.5-2.5hrs
- Ceiling: 13,500 ft
- Length: 20ft 6 in
- Height: 6 ft
- Wingspan: 27 ft 8 in
- Build Time 250hrs

Engine Options:

- MZ201
- MZ202
- Utilizing a Warp Drive Prop



Dimensions			
AIRCRAFT	Aventura II	Aventura HP	Aventura UL
A. Overall	23'	20' 6"	20' 6"
B. Height (no engine)	84"	69"	68"
C. Datum to Main	90"	82"	82"
D. Main to Tail	156"	130"	128"
E. Leading Edge	162"	159"	143"
F. Horiz. Stab.	110"	98"	98"
G. Trailing Edge	181"	176"	164"
H. Wing Span	30' 8"	29' 8"	27' 8"
I. Wheel Base	83"	63"	62"
J. Cabin Width	42"	31"	31"

